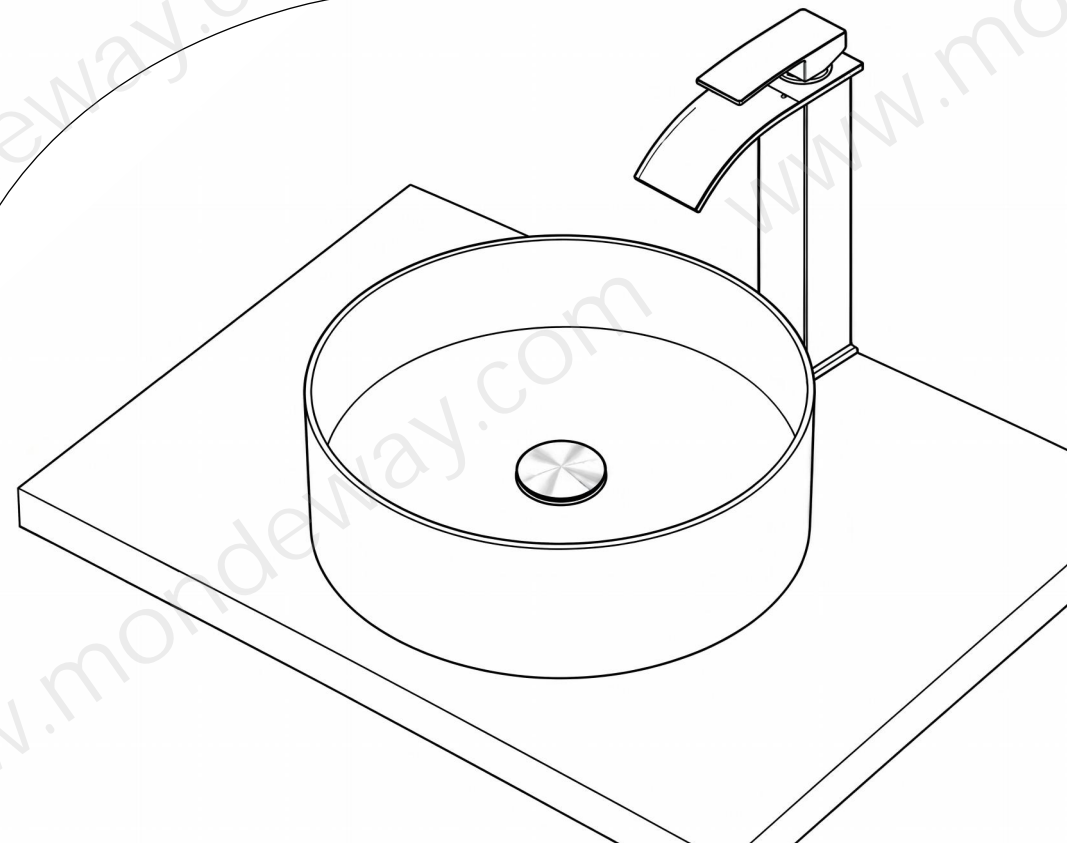
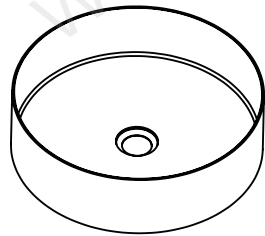


Stainless Steel Basin

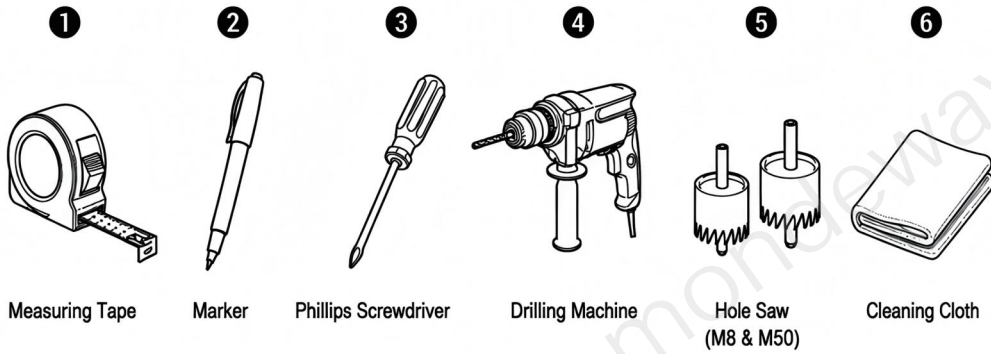
Installation Manual



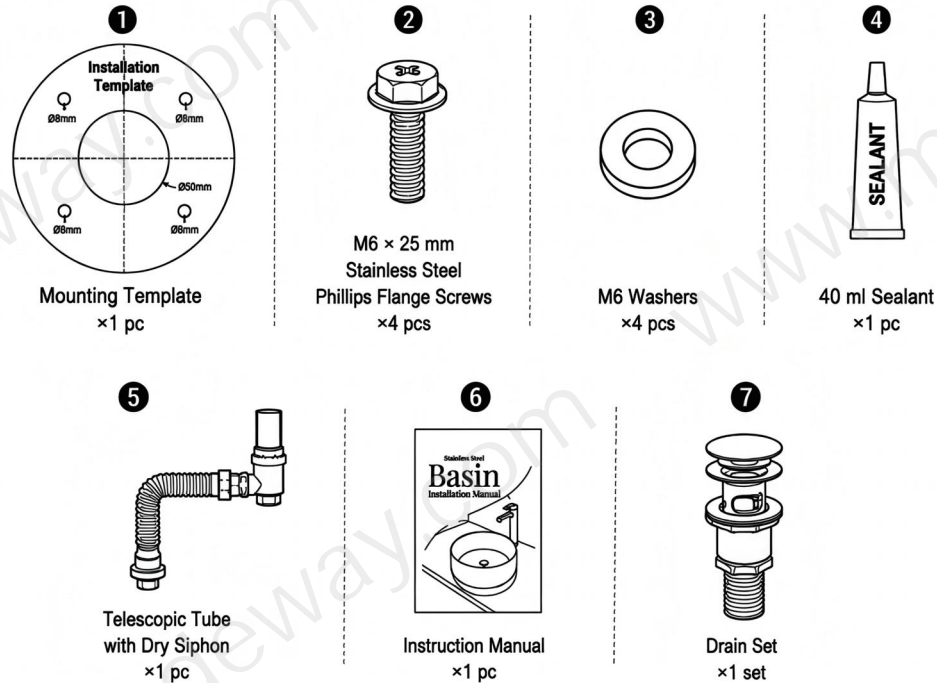
Thank you for purchasing our product.

For any questions, please contact our customer service.

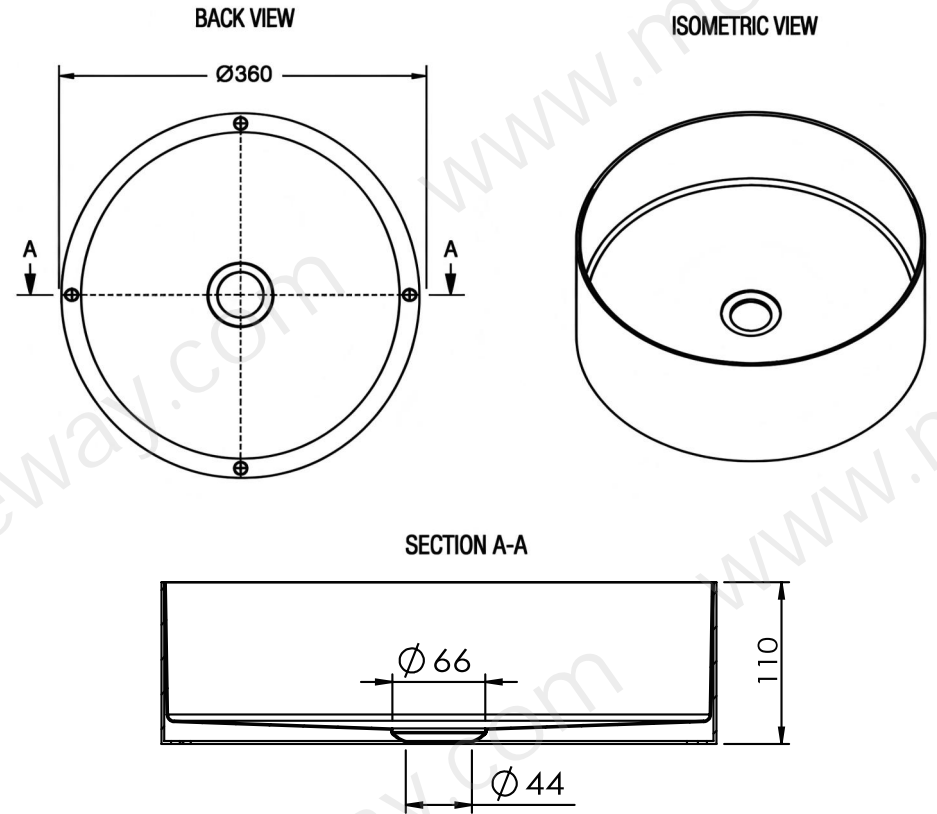
TOOLS REQUIRED



ACCESSORIES INCLUDED



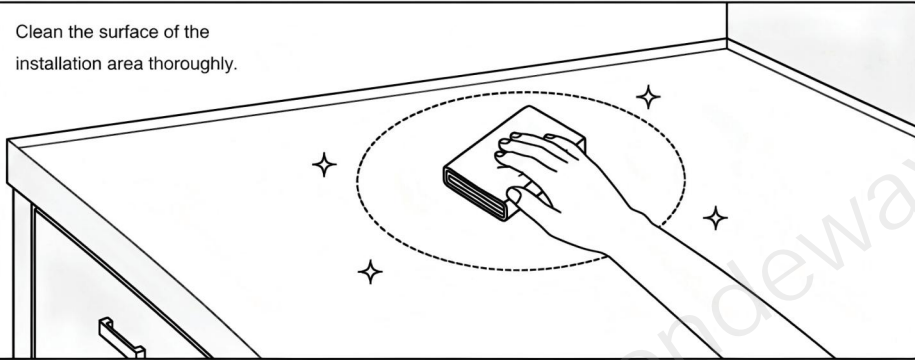
PRODUCT DIMENSIONS



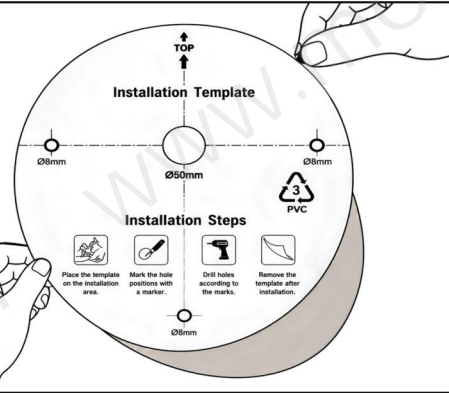
- All dimensions are in millimeters (mm).
- Measurements are for reference only.

INSTALLATION STEPS

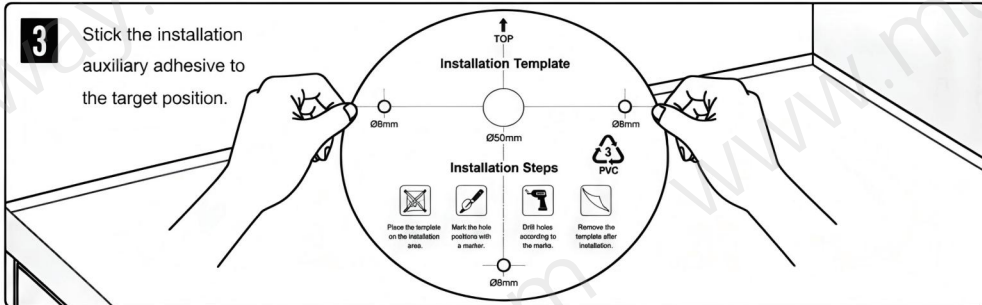
- 1** Clean the surface of the installation area thoroughly.



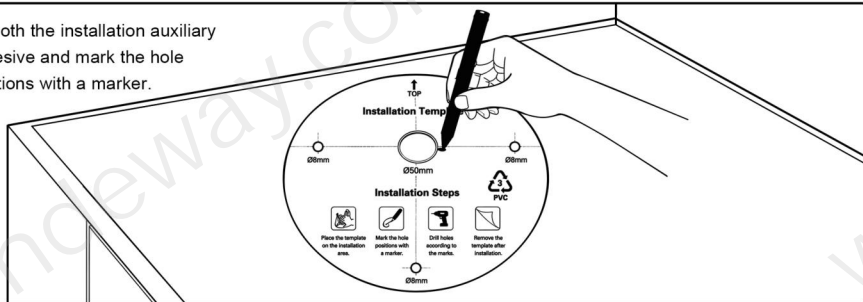
- 2** Peel off the installation auxiliary adhesive film.



- 3** Stick the installation auxiliary adhesive to the target position.

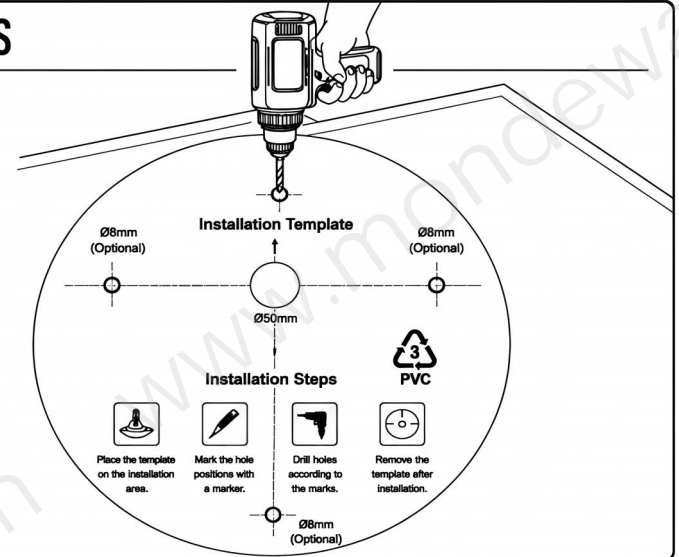


- 4** Smooth the installation auxiliary adhesive and mark the hole positions with a marker.

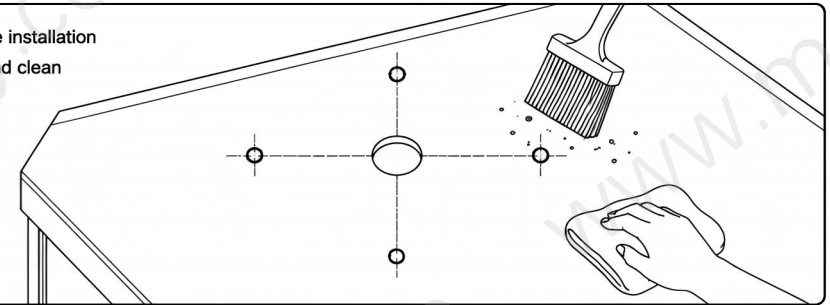


INSTALLATION STEPS

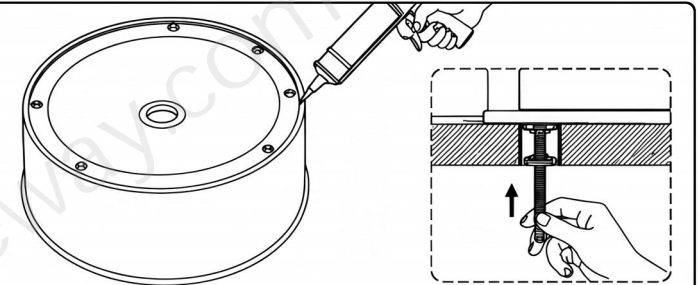
- 5** Drill holes on the countertop (tile or stone).
The four edge holes are optional based on installation needs.
If not drilling edge holes, the basin can be fixed directly with sealant.



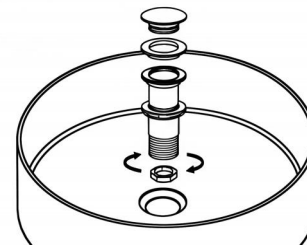
- 6** Remove the installation template and clean the surface.



- 7** Apply sealant along the bottom edge of the basin. Place the basin onto the countertop, align the holes, and tighten the screws from underneath. (Skip screws if no edge holes are drilled.)

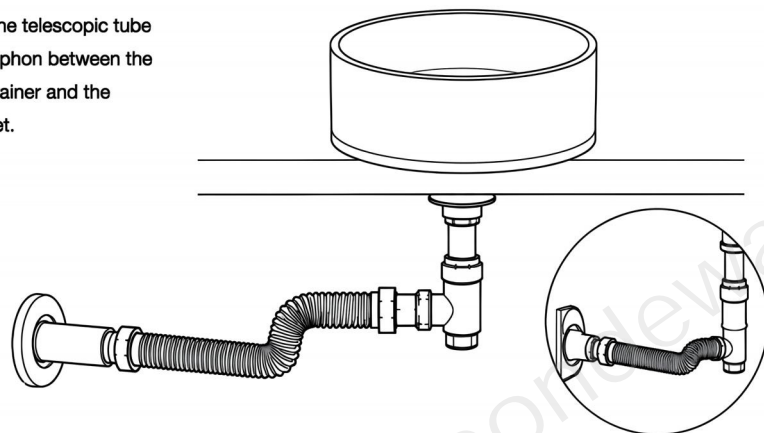


- 8** Install the pop-up drainer.



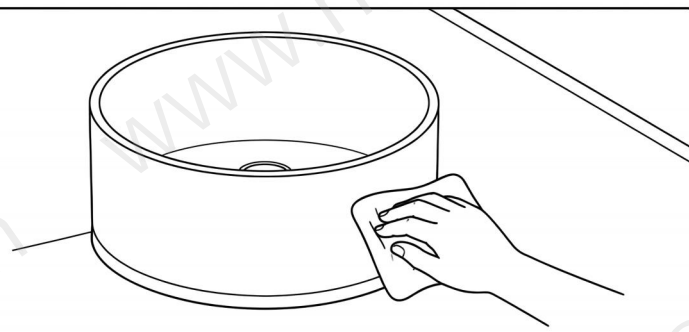
9

Connect the telescopic tube with dry siphon between the pop-up drainer and the drain outlet.



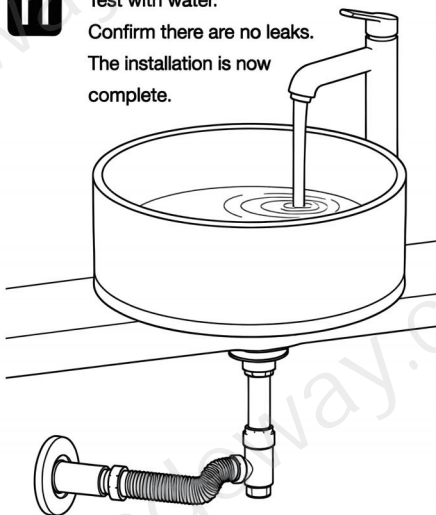
10

Wipe off any excess sealant around the edge of the basin.

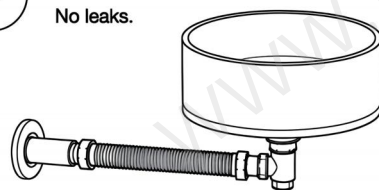


11

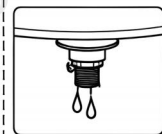
Test with water. Confirm there are no leaks. The installation is now complete.



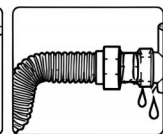
PASS
No leaks.



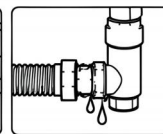
FAIL Check all connections for leaks. Tighten if necessary.



Pop-up drainer connection



Telescopic tube connection



Dry siphon connection



Do not use if leaks are found.

CARE & MAINTENANCE



DAILY USE TIPS



Avoid contact with strong acids, alkalis, or corrosive cleaners.



Do not use steel wool or abrasive pads.



Prevent long-term contact with chemical residues (e.g. toothpaste, salt).



Avoid impact from hard or sharp objects.



CLEANING & MAINTENANCE



Clean with a soft cloth and mild detergent.



Rinse with clean water and wipe dry after use.



Use neutral cleaner for stubborn stains.



Keep the surface dry to maintain appearance.



FOR PVD COATED FINISH



Clean only with a soft cloth.



Avoid acidic or alcohol-based cleaners.



Do not use polishing agents or wax.



Proper care helps maintain color and durability.



IMPORTANT NOTICE

Improper cleaning may cause surface damage or discoloration.



DISCLAIMER

- Damage caused by improper use, failure to follow maintenance instructions, or 人为损坏 (intentional or accidental damage) is not covered by warranty or after-sales service.
- The manufacturer is not responsible for issues resulting from incorrect installation or misuse.

