

CAUTION!

Cement grout film removers often contain aggressive chemicals. They can damage the surface of the recessed holder. Please be sure to rinse the recessed holder thoroughly after using tile and joint cleaners. Do not use abrasives and/or sharp/scraping objects to clean the recessed holder. Do not place corrosive products, such as steel or aluminium (spray) cans, directly on the stainless steel.

CARE & MAINTENANCE

After installation, some aggressive substances such as sealant, adhesive, mortar may cause "yellow spot" or grow in the surface structure and form unsightly "pools", and damage the surface.

- Periodically clean the fixture with warm water, a soft microfiber cloth, and (if necessary) soap.
- Rinse and scrub the fixture with warm water only. Avoid hard water or high mineral content water.
- Remove the material left after finishing, adhesive or mortar residue, if there is any. Clean the surface and accessories thoroughly and carefully.
- To reduce the chance of scratching, take care to wipe in the direction of the grain (direction of striations).
- Do not use abrasive cleaners, rubbing alcohol, detergents, chlorine bleach-based cleaners, aggressive chemicals, abrasive cleaning pad, or harsh polishes on the surface. Use of such substance may void the warranty.
- If you are using a chlorine bleach-containing cleaner in your shower, make sure that you avoid the holder surface and promptly remove any residue that may end up on the surface.



Acidic Cleaners



Bleach



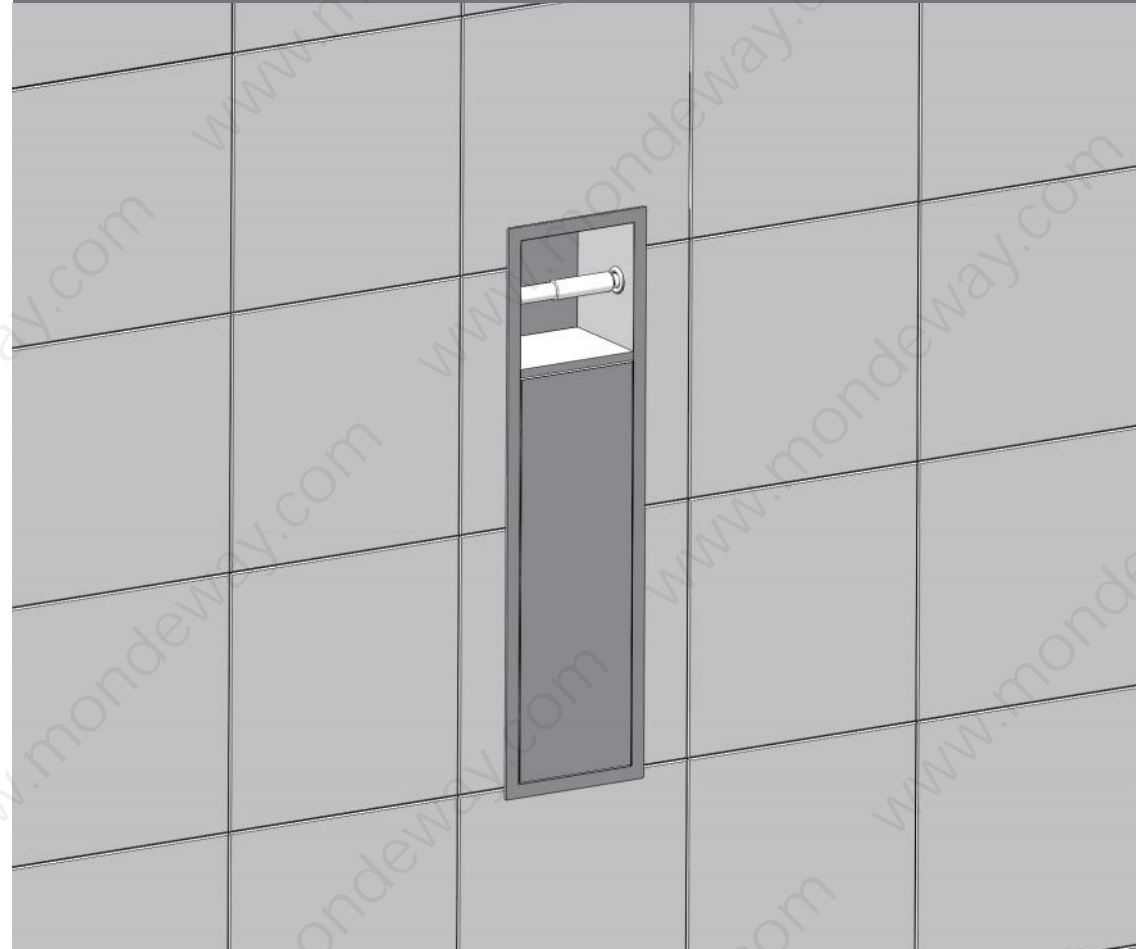
Strong Cleaners



NO Abrasive Tools

Prohibited: Acidic cleaners, bleach, strong cleaners, NO abrasive tools
Only use soft cleaning pads and brooms to clean the surface of the product.

Toilet Paper Holder & Storage

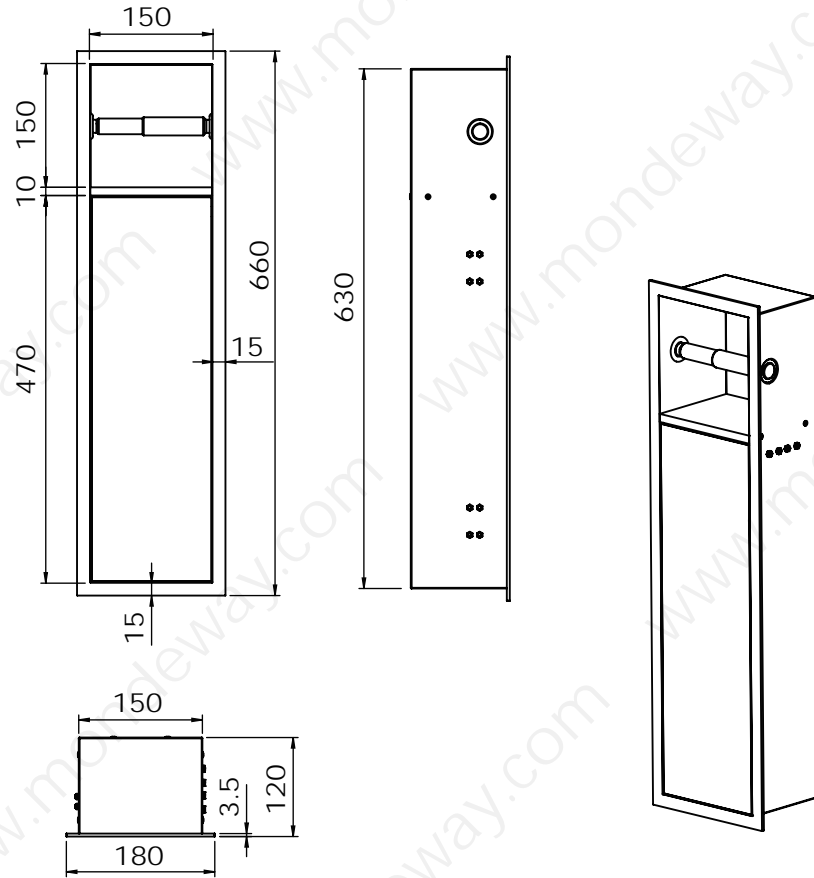


Recessed Toilet Paper Holder

STAINLESS STEEL 304 PAPER HOLDER

INSTALLATION GUIDE

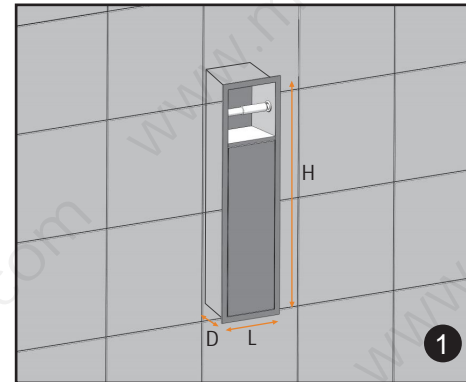
RECESSED TOILET PAPER HOLDER



| Product Size LxHxD/mm | Suggest Hole Size on Wall LxHxD/mm |
|-----------------------|------------------------------------|
| 150*630*120 | 160*635*125 |

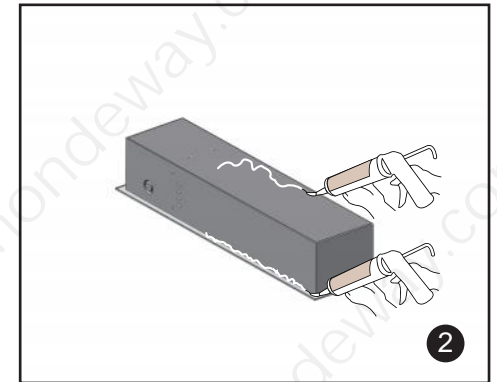
TOILET PAPER HOLDER INSTALLATION GUIDE

Step 1



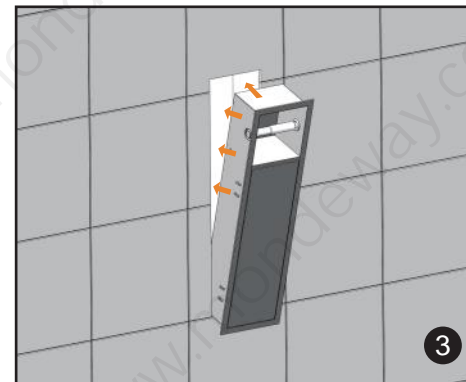
Create a wall section slightly larger than the dimensions of your paper holder. Make sure hole size is a little bit bigger than the body of paper holder, approximately 160mm*635mm*125mm, see the table.

Step 2



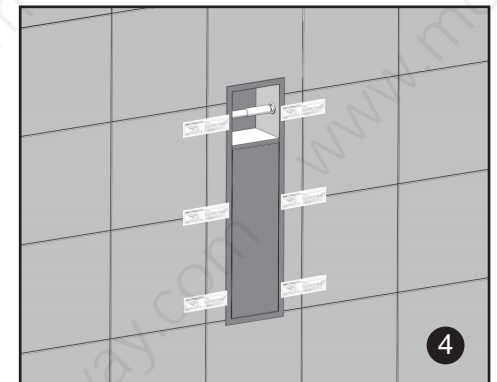
Apply the silicone sealant to the back of paper holder, and apply more around the back flange of it as well.

Step 3



Insert the paper holder into the measured wall section in Step 1 and fix it accordingly. Wipe off the excess sealant along the edges.

Step 4



Paste adhesive papers on flange to avoid body removing out of right position, keep it drying with 24 hours.